



DOMIproject C32

LISTA PEZZI DI RICAMBIO

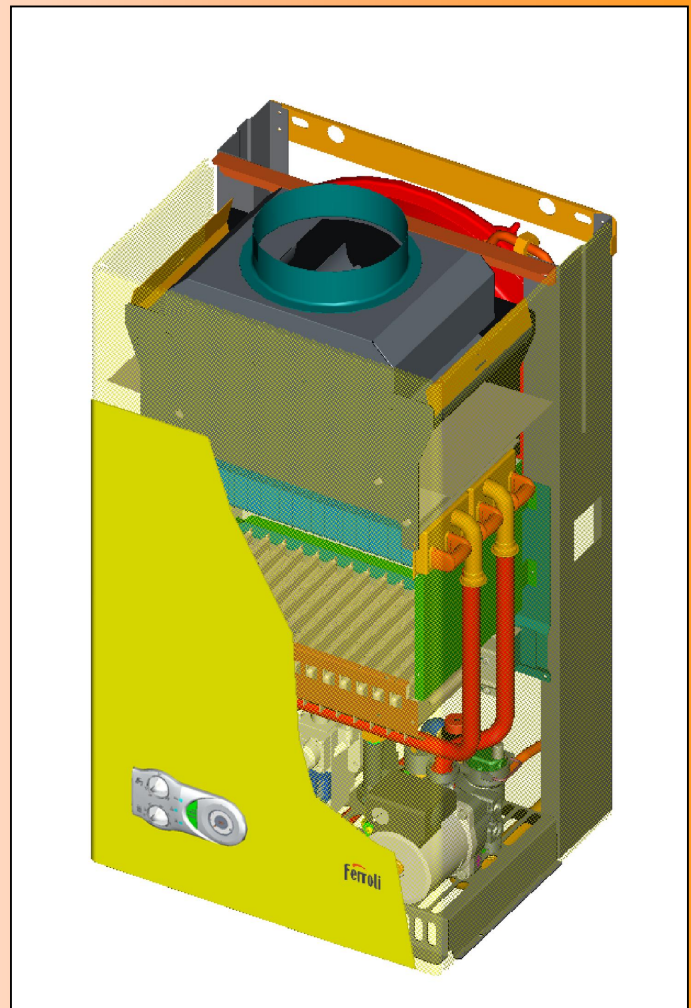
SPARE PART LIST

ERSATZSTEILE

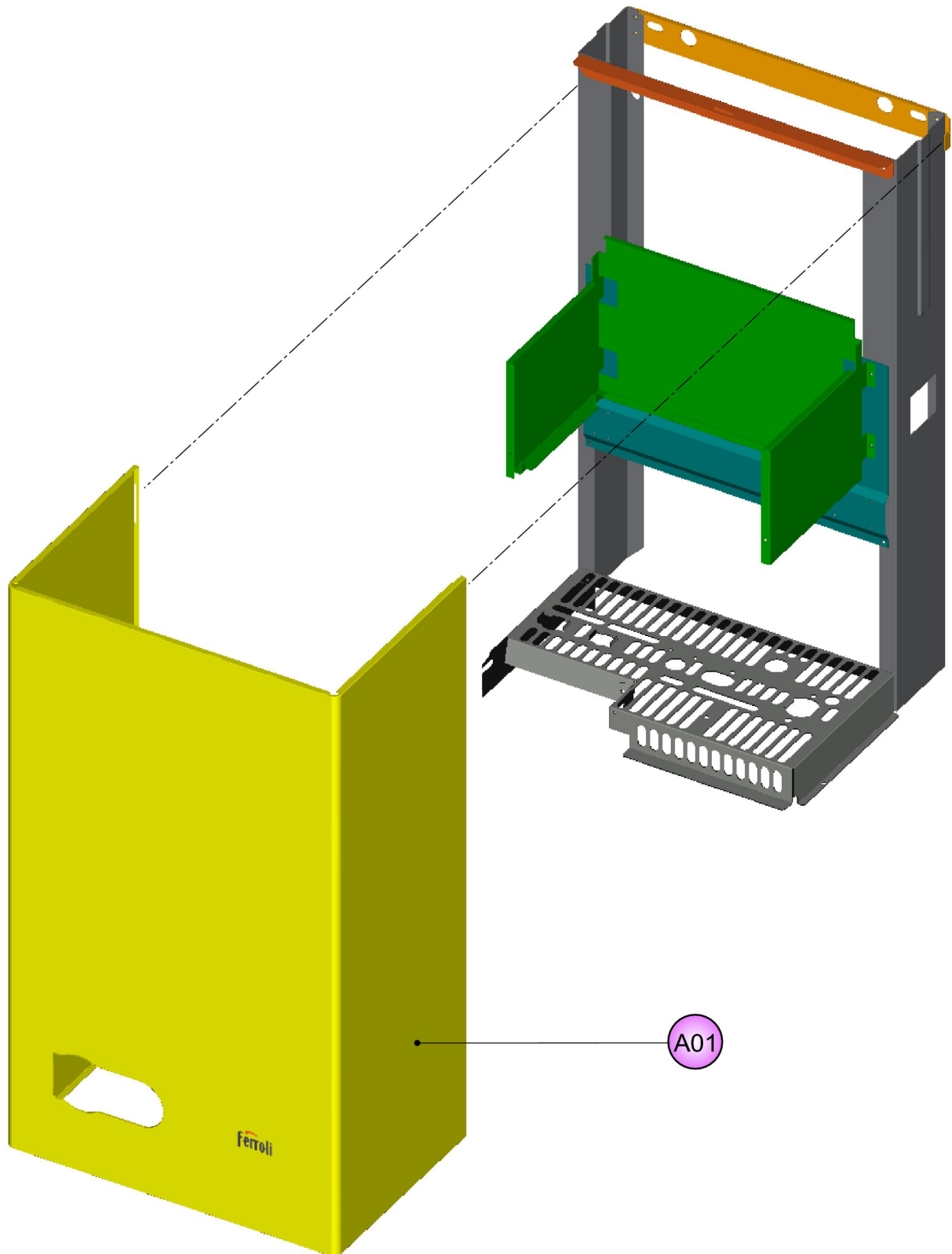
LIJST ONDERDELEN

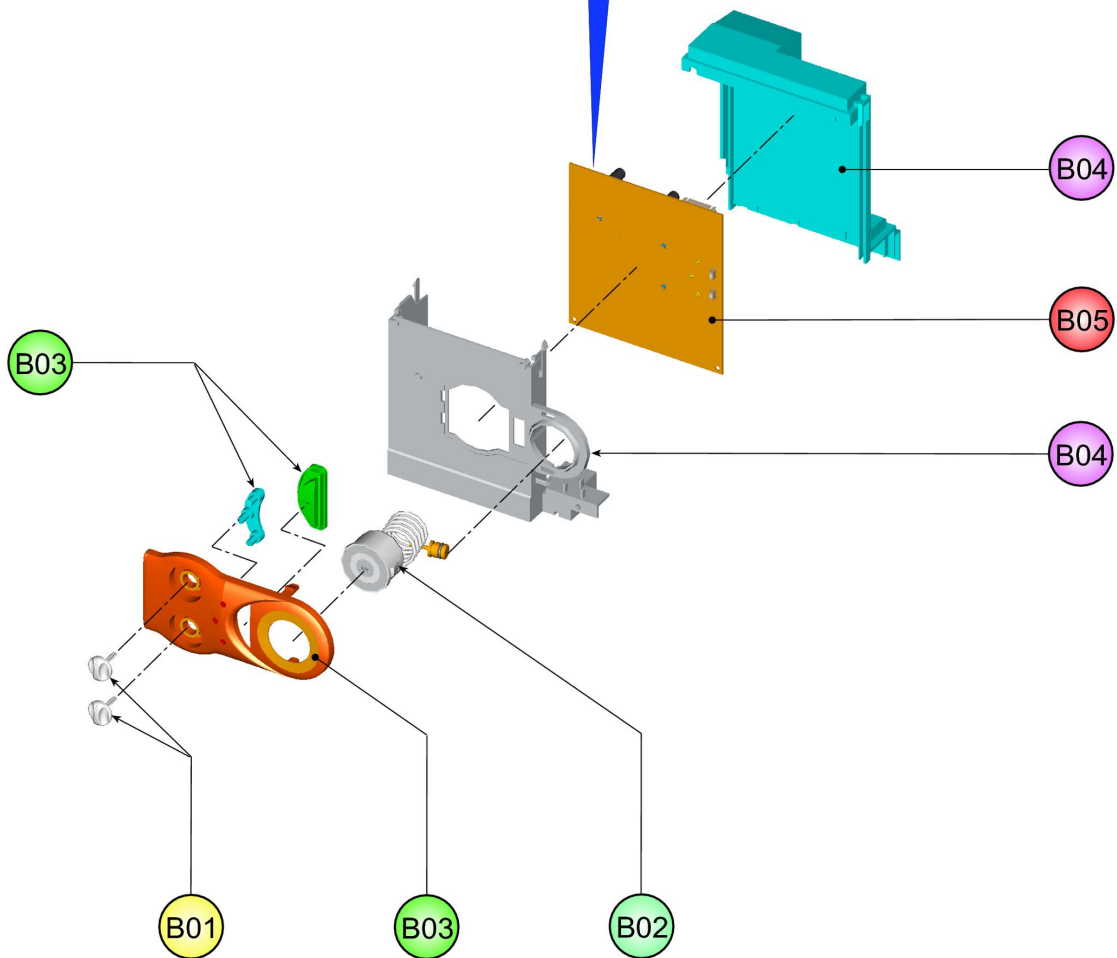
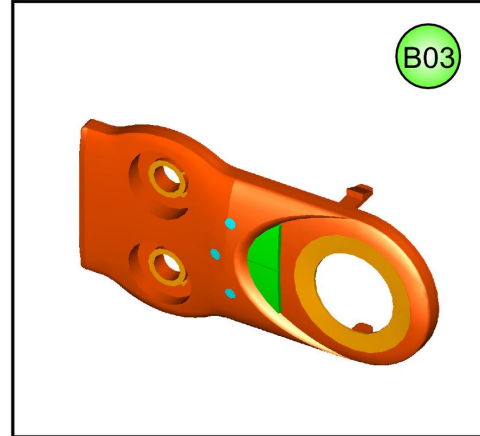
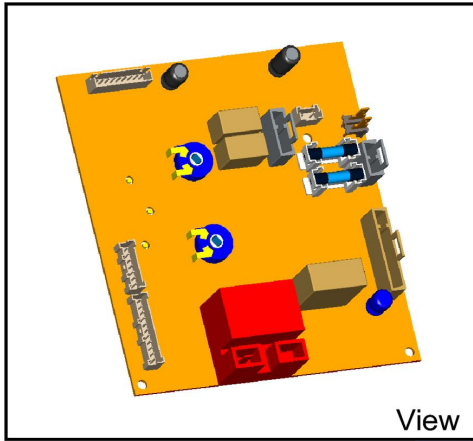
LISTE PIECES DETACHES

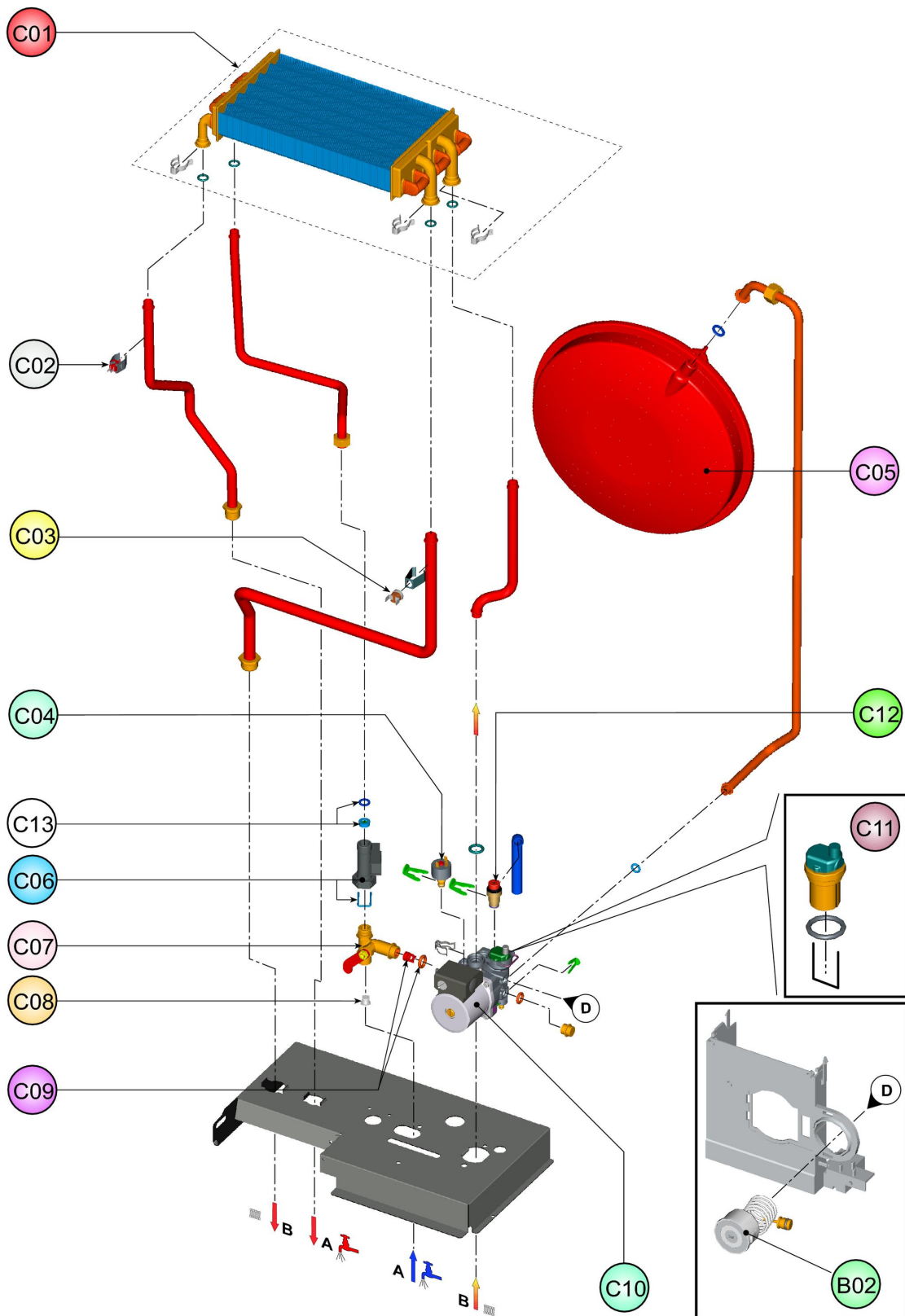
LISTA PIEZAS DE REPUESTO

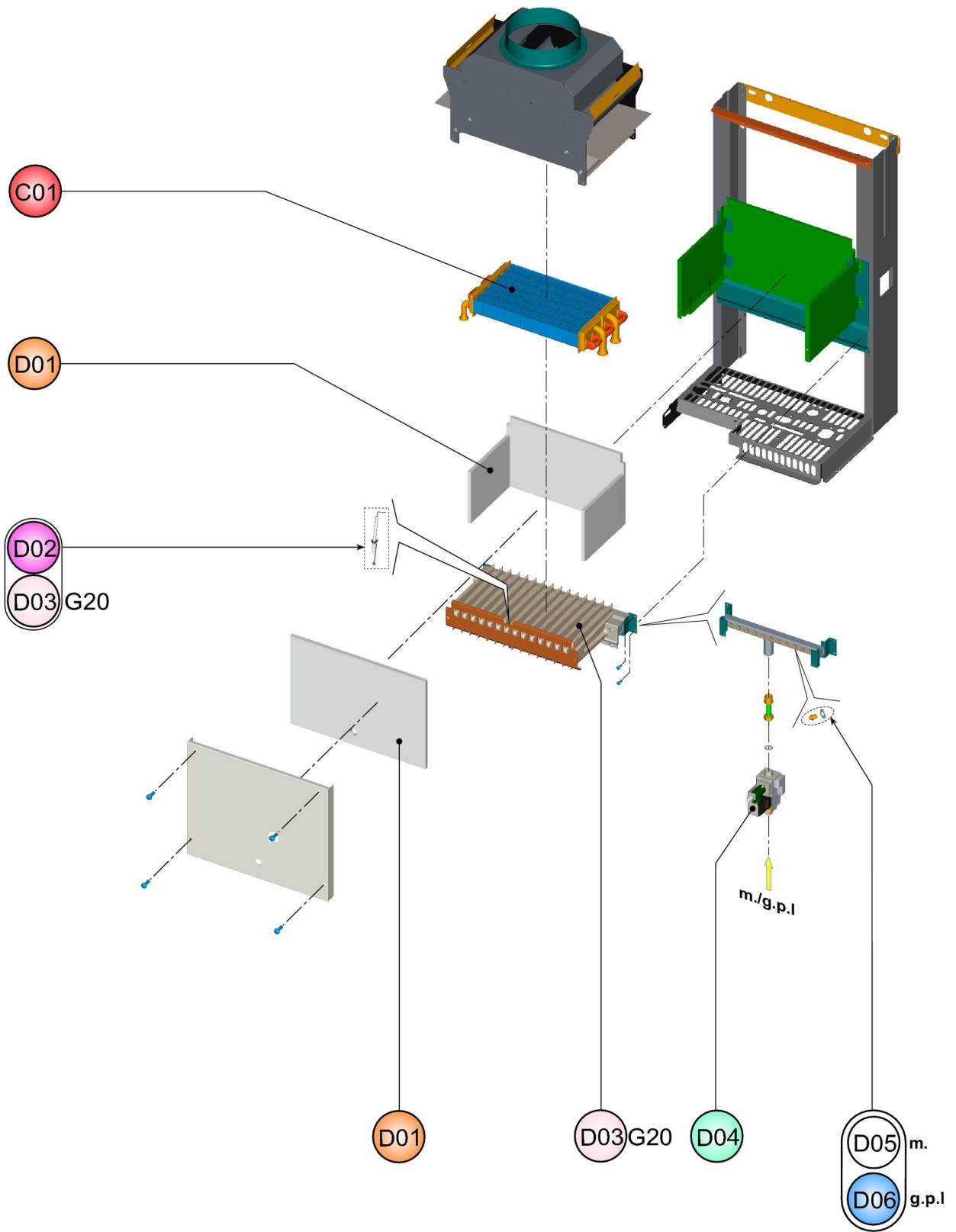


CODICE	EDIZIONE	MERCATO
30K0287000	22/03/2006	A2-A3-A4-A5









LISTA PEZZI 0ABC7B2A		DOMIproject C32 m. (A2)	
POS.	CODICE	DESC.	QT.
A01	39819660	KIT MANTELLO (31115970)	1
B01	39819500	KIT 2 MANOPOLE (35012090)	1
B02	39818210	KIT IDROMETRO (36402070)	1
B03	39819510	KIT MASCHERINA (35011990)	1
B04	39819520	KIT SCATOLA EL. (35012240)	1
B05	39819530	KIT SCHEDA EL. (36507990)	1
C01	39819910	KIT SCAMB.BITERM. (37404310)	1
C02	39819550	KIT SONDA TEMP. (36200730)	1
C03	39810230	KIT SONDA TEMP.SAN. (36200640)	1
C04	39818260	KIT PRESSOST.H2O (39404710)	1
C05	39809690	KIT VASO ESP.10Lt. (36802740)	1
C06	39818550	KIT FLUSSOST.ELTEK (36400710)	1
C07	39818280	KIT RUBIN.CARICO (36902150)	1
C08	39813230	KIT 5 FILTRI FLUSS. (39402940)	1
C09	39818230	KIT 5 VALV.N/R (39404740)	1
C10	39818450	KIT POMPA AO/FX3FPL (39404220)	1
C11	39818220	KIT V.ARIA (39404380-39404730)	1
C12	39818270	KIT VALV.SIC. (39404720)	1
C13	39813220	KIT 5 REG.PORT.15Lt. (36902100)	1
D01	39819720	KIT ISOL.CAM.COMB. Sr.ABF7	1
D02	39819430	KIT ELETTRODO ACC. (36702890)	1
D03	39819730	KIT BRUC.15R.m. (37608930)	1
D04	39819620	KIT VALV.GAS (36800610)	1
D05	39819700	KIT 15 UG.1,35 m. (34009821)	1

LISTA PEZZI 0ABC7B3A		DOMIproject C32 m. (A3)	
POS.	CODICE	DESC.	QT.
A01	39819660	KIT MANTELLO (31115970)	1
B01	39819500	KIT 2 MANOPOLE (35012090)	1
B02	39818210	KIT IDROMETRO (36402070)	1
B03	39819510	KIT MASCHERINA (35011990)	1
B04	39819520	KIT SCATOLA EL. (35012240)	1
B05	39819530	KIT SCHEDA EL. (36507990)	1
C01	39819910	KIT SCAMB.BITERM. (37404310)	1
C02	39819550	KIT SONDA TEMP. (36200730)	1
C03	39810230	KIT SONDA TEMP.SAN. (36200640)	1
C04	39818260	KIT PRESSOST.H2O (39404710)	1
C05	39809690	KIT VASO ESP.10Lt. (36802740)	1
C06	39818550	KIT FLUSSOST.ELTEK (36400710)	1
C07	39818280	KIT RUBIN.CARICO (36902150)	1
C08	39813230	KIT 5 FILTRI FLUSS. (39402940)	1
C09	39818230	KIT 5 VALV.N/R (39404740)	1
C10	39818450	KIT POMPA AO/FX3FPL (39404220)	1
C11	39818220	KIT V.ARIA (39404380-39404730)	1
C12	39818270	KIT VALV.SIC. (39404720)	1
C13	39813220	KIT 5 REG.PORT.15Lt. (36902100)	1
D01	39819720	KIT ISOL.CAM.COMB. Sr.ABF7	1
D02	39819430	KIT ELETTRODO ACC. (36702890)	1
D03	39819730	KIT BRUC.15R.m. (37608930)	1
D04	39819620	KIT VALV.GAS (36800610)	1
D05	39819700	KIT 15 UG.1,35 m. (34009821)	1

LISTA PEZZI 0ABC7B4A		DOMIproject C32 m. (A4)	
POS.	CODICE	DESC.	QT.
A01	39819660	KIT MANTELLO (31115970)	1
B01	39819500	KIT 2 MANOPOLE (35012090)	1
B02	39818210	KIT IDROMETRO (36402070)	1
B03	39819510	KIT MASCHERINA (35011990)	1
B04	39819520	KIT SCATOLA EL. (35012240)	1
B05	39819530	KIT SCHEDA EL. (36507990)	1
C01	39819910	KIT SCAMB.BITERM. (37404310)	1
C02	39819550	KIT SONDA TEMP. (36200730)	1
C03	39810230	KIT SONDA TEMP.SAN. (36200640)	1
C04	39818260	KIT PRESSOST.H2O (39404710)	1
C05	39809690	KIT VASO ESP.10Lt. (36802740)	1
C06	39818550	KIT FLUSSOST.ELTEK (36400710)	1
C07	39818280	KIT RUBIN.CARICO (36902150)	1
C08	39813230	KIT 5 FILTRI FLUSS. (39402940)	1
C09	39818230	KIT 5 VALV.N/R (39404740)	1
C10	39818450	KIT POMPA AO/FX3FPL (39404220)	1
C11	39818220	KIT V.ARIA (39404380-39404730)	1
C12	39818270	KIT VALV.SIC. (39404720)	1
C13	39813220	KIT 5 REG.PORT.15Lt. (36902100)	1
D01	39819720	KIT ISOL.CAM.COMB. Sr.ABF7	1
D02	39819430	KIT ELETTRODO ACC. (36702890)	1
D03	39819730	KIT BRUC.15R.m. (37608930)	1
D04	39819620	KIT VALV.GAS (36800610)	1
D05	39819700	KIT 15 UG.1,35 m. (34009821)	1

LISTA PEZZI 0ABC7B5A		DOMIproject C32 m. (A5)	
POS.	CODICE	DESC.	QT.
A01	39819660	KIT MANTELLO (31115970)	1
B01	39819500	KIT 2 MANOPOLE (35012090)	1
B02	39818210	KIT IDROMETRO (36402070)	1
B03	39819510	KIT MASCHERINA (35011990)	1
B04	39819520	KIT SCATOLA EL. (35012240)	1
B05	39819530	KIT SCHEDA EL. (36507990)	1
C01	39819910	KIT SCAMB.BITERM. (37404310)	1
C02	39819550	KIT SONDA TEMP. (36200730)	1
C03	39810230	KIT SONDA TEMP.SAN. (36200640)	1
C04	39818260	KIT PRESSOST.H2O (39404710)	1
C05	39809690	KIT VASO ESP.10Lt. (36802740)	1
C06	39818550	KIT FLUSSOST.ELTEK (36400710)	1
C07	39818280	KIT RUBIN.CARICO (36902150)	1
C08	39813230	KIT 5 FILTRI FLUSS. (39402940)	1
C09	39818230	KIT 5 VALV.N/R (39404740)	1
C10	39818450	KIT POMPA AO/FX3FPL (39404220)	1
C11	39818220	KIT V.ARIA (39404380-39404730)	1
C12	39818270	KIT VALV.SIC. (39404720)	1
C13	39813220	KIT 5 REG.PORT.15Lt. (36902100)	1
D01	39819720	KIT ISOL.CAM.COMB. Sr.ABF7	1
D02	39819430	KIT ELETTRODO ACC. (36702890)	1
D03	39819730	KIT BRUC.15R.m. (37608930)	1
D04	39819620	KIT VALV.GAS (36800610)	1
D05	39819700	KIT 15 UG.1,35 m. (34009821)	1

LISTA PEZZI 0ABC7D2A		DOMIproject C32 gpl (A2)	
POS.	CODICE	DESC.	QT.
A01	39819660	KIT MANTELLO (31115970)	1
B01	39819500	KIT 2 MANOPOLE (35012090)	1
B02	39818210	KIT IDROMETRO (36402070)	1
B03	39819510	KIT MASCHERINA (35011990)	1
B04	39819520	KIT SCATOLA EL. (35012240)	1
B05	39819530	KIT SCHEDA EL. (36507990)	1
C01	39819910	KIT SCAMB.BITERM. (37404310)	1
C02	39819550	KIT SONDA TEMP. (36200730)	1
C03	39810230	KIT SONDA TEMP.SAN. (36200640)	1
C04	39818260	KIT PRESSOST.H2O (39404710)	1
C05	39809690	KIT VASO ESP.10Lt. (36802740)	1
C06	39818550	KIT FLUSSOST.ELTEK (36400710)	1
C07	39818280	KIT RUBIN.CARICO (36902150)	1
C08	39813230	KIT 5 FILTRI FLUSS. (39402940)	1
C09	39818230	KIT 5 VALV.N/R (39404740)	1
C10	39818450	KIT POMPA AO/FX3FPL (39404220)	1
C11	39818220	KIT V.ARIA (39404380-39404730)	1
C12	39818270	KIT VALV.SIC. (39404720)	1
C13	39813220	KIT 5 REG.PORT.15Lt. (36902100)	1
D01	39819720	KIT ISOL.CAM.COMB. Sr.ABF7	1
D02	39819430	KIT ELETTRODO ACC. (36702890)	1
D04	39819620	KIT VALV.GAS (36800610)	1
D06	39819710	KIT 15 UG.0,79 gpl (34013300)	1

Firma
DI CARLO Cristian